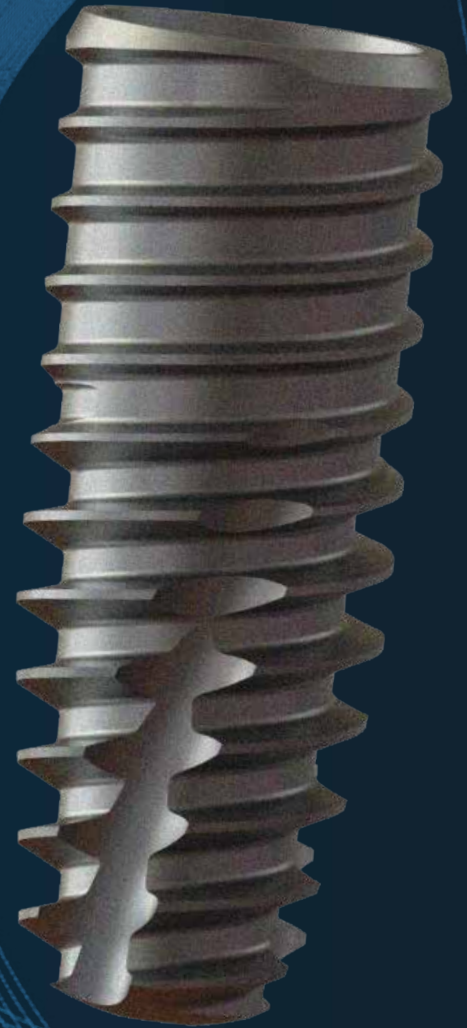


Dental Implant
Digital All Care abutment solution

2023
Product Catalog
ST Implant



CE
0068

Established In 2013 , ST is the advanced and specialized manufacturers of Dental Implant system here in Korea and we have been supplying our high quality products to many customers in the world enjoying a very good reputation and also, our quality products are being selected constantly by professional.

ST is an abbreviated word of In Vivo osseointegration and the biggest characteristic of our products is to make with our provide satisfaction to patients and doctors high quality and various dental implant systems.

Accordingly, we let our customers recover their lost smile with beautiful teeth as well as we let our customers feel the pleasure of eating as providing healthy teeth to customers.

We constantly try to fulfill human hope for more healthy and beautiful gum and teeth with ST Implant System most similar to natural teeth. Please try and enjoy our quality products at competitive price.

ST CEO Myung-Heon, Ha



Innovative
medical device
for patients and doctors

01

R&D

ST R&D center in Korea is composed of highly qualified researchers with the specialized installations for developing innovative implant dentistry. All members in R&D are pursuing innovative technical development of implantology used worldwide by combining various basic and clinical studies with the cooperation of the governments, hospitals and educational institutions.



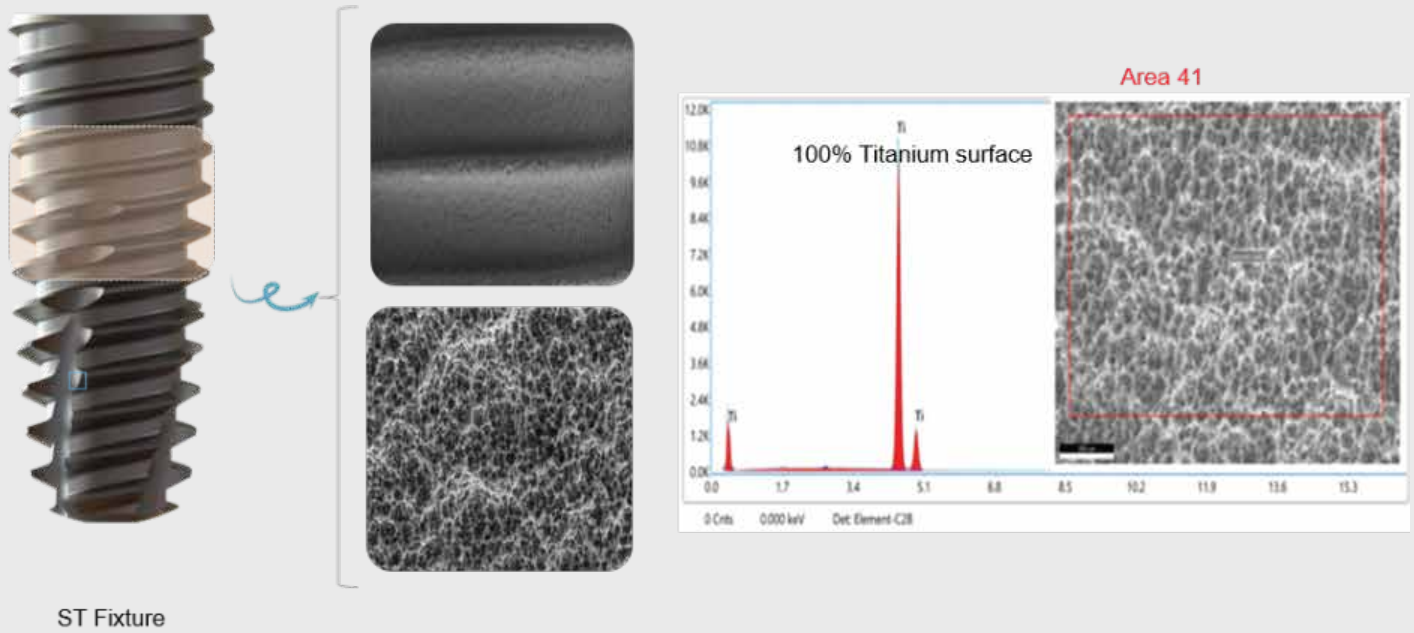
02

Certificate



ST Implant System

Fixture Surface treatment(SLA)

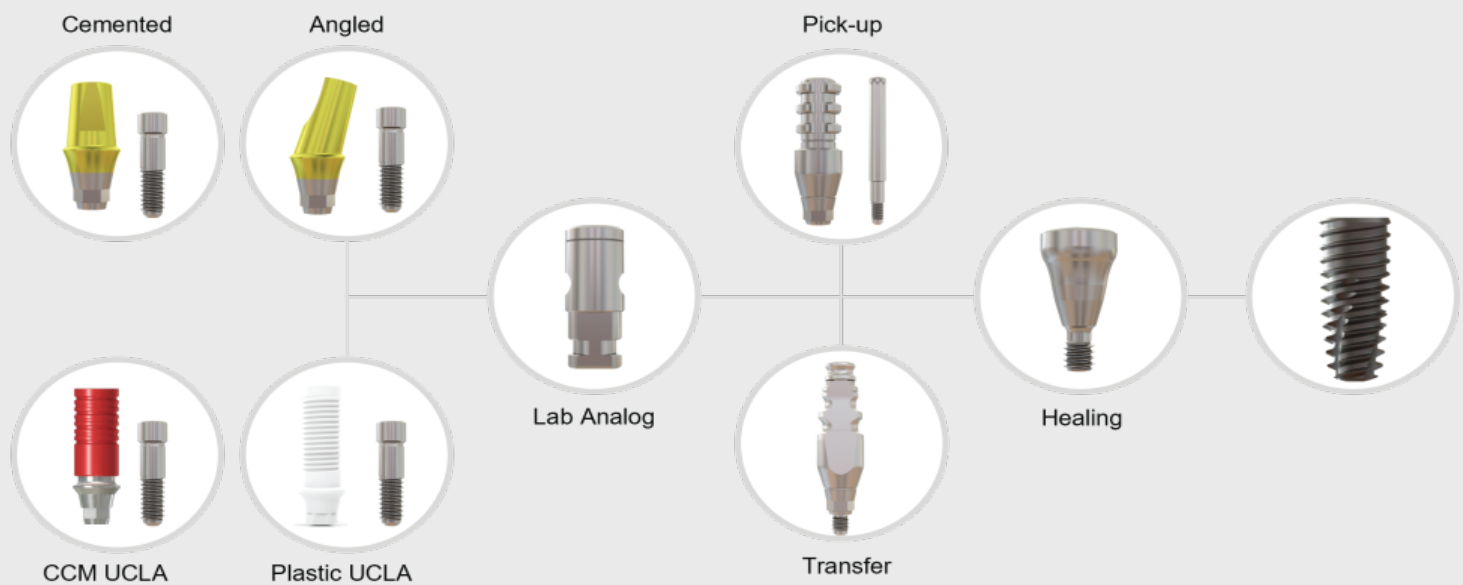


Smart Quant Results

Element	Weight%	Atomic%	Net Int.	Error%	Kratio	Z	A	F
Ti	100.00	100.00	1345.05	1.17	1.0000	1.0000	1.0000	1.0000

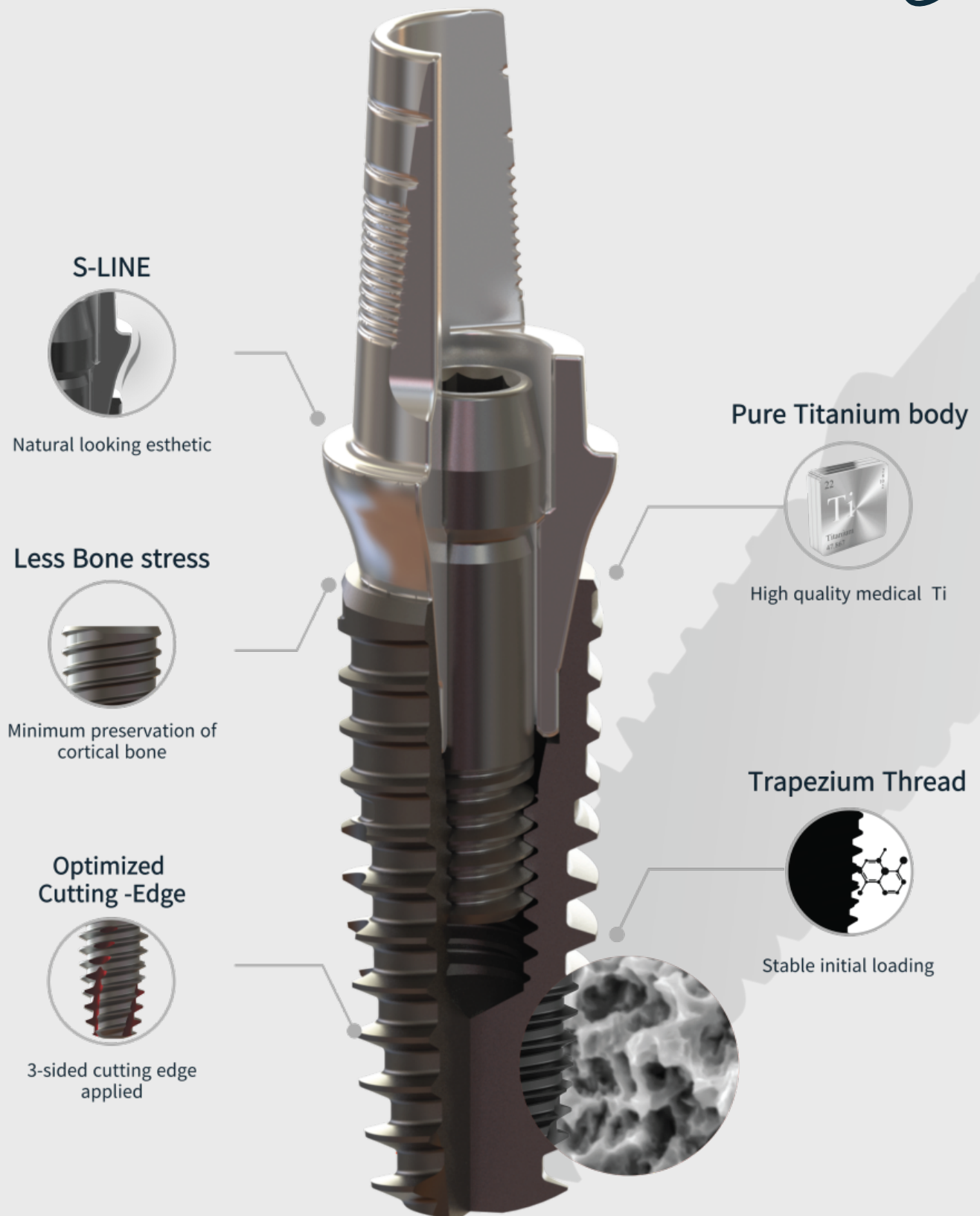
Prosthetic Flow Chart

- ST Abutment



ST Implant System

Healthy Daily Life



ST Implant System

Diameter Ø3.5



Length(mm)	7.0	8.5	10.0	11.5	13.0
Product code	-	STF3508	STF3510	STF3511	STF3513

Diameter Ø4.0



Length(mm)	7.0	8.5	10.0	11.5	13.0
Product code	STF4007	STF4008	STF4010	STF4011	STF4013

Diameter Ø4.5



Length(mm)	7.0	8.5	10.0	11.5	13.0
Product code	STF4507	STF4508	STF4510	STF4511	STF4513

ST Implant System

Diameter Ø5.0



Length(mm)	7.0	8.5	10.0	11.5	13.0
Product code	STF5007	STF5008	STF5010	STF5011	STF5013

Diameter Ø5.5



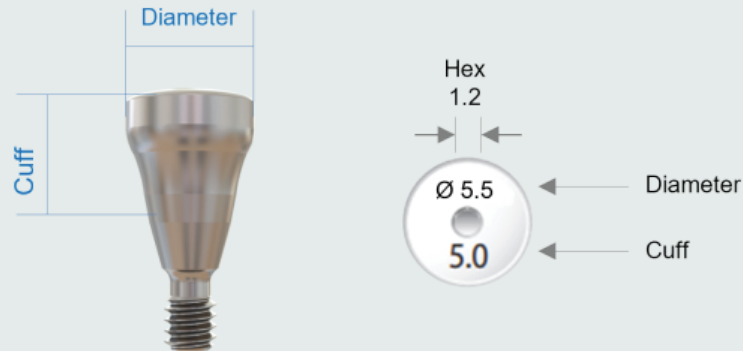
Length(mm)	7.0	8.5	10.0	11.5	13.0
Product code	STF5507	STF5508	STF5510	STF5511	STF5513

Diameter Ø6.0~7.0 with Update

ST Implant System

Healing Abutment

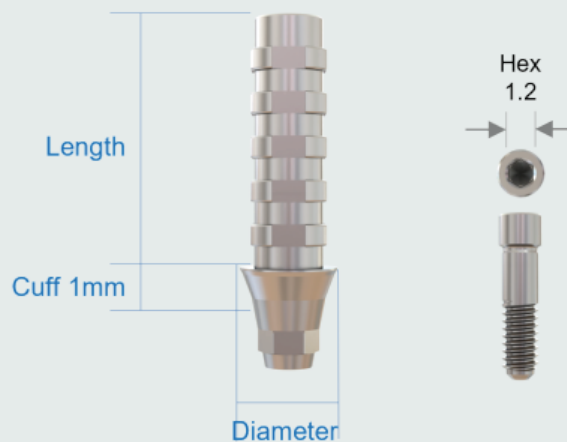
- Tightening Torque : 8-10Ncm



Diameter		Ø4.5	Ø5.5	Ø6.5
Cuff	2.0mm	STHA4520	STHA5520	STHA6520
	3.0mm	STHA4530	STHA5530	STHA6530
	4.0mm	STHA4540	STHA5540	STHA6540
	5.0mm	STHA4550	STHA5550	STHA6550
	6.0mm	STHA4560	STHA5560	STHA6560
	7.0mm	STHA4570	STHA5570	STHA6570

Temporary Abutment

- Tightening Torque : 30Ncm



Diameter		Ø4.5	Ø4.5
Cuff(mm)		1.0(Hex)	1.0(Non-Hex)
Length	11mm	STTA453011HS	STTA453011NS

ST Implant System

Transient Healing Abutment

- Tightening Torque : 8-10Ncm



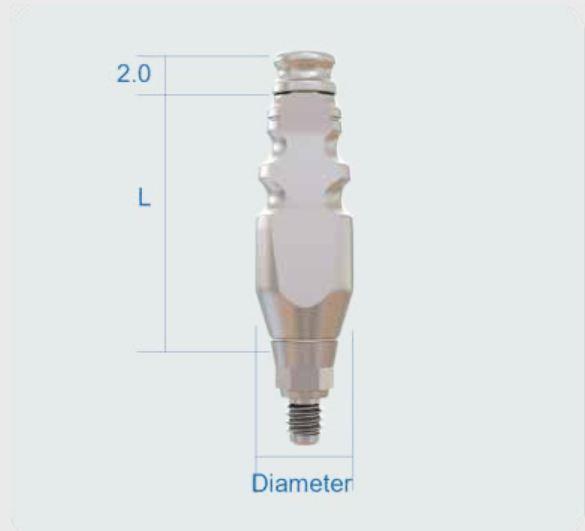
Diameter			Ø3.4	Ø3.4	
Cuff	0.1mm	Length	3.9	THABO40	THABD40
	2.0mm		2.0	THABO202040	THABD202040
	2.0mm		3.0	THABO203050	THABD203050
	2.0mm		4.0	THABO204060	THABD204060
	2.0mm		5.0	THABO205070	THABD205070
	2.0mm		6.0	THABO206080	THABD206080
	2.0mm		7.0	THABO207090	THABD207090

Pick-up Impression Coping



Diameter-Ø4.5		Hex	Non-Hex
Length	11.0mm	STIPH450	STIPN450
	15.0mm	STIPHL450	STIPNL450

Transfer Impression Coping

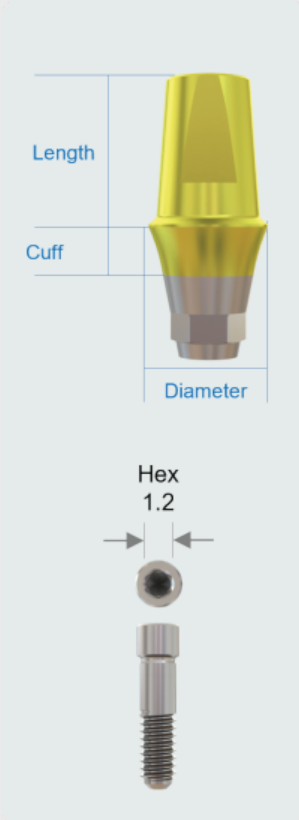


Diameter-Ø4.8		Hex	Non-Hex
Length	11.0mm	STITH450	STITN450
	15.0mm	STITHL450	STITNL450

ST Implant System

ST Cemented Abutment

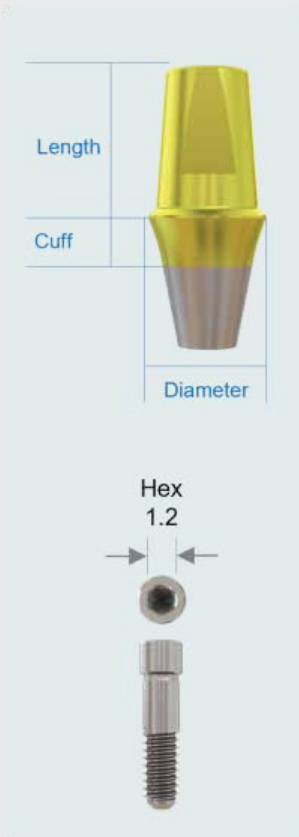
- Tightening Torque : 30Ncm



Diameter		Ø4.5				
Cuff(mm)		1.0	2.0	3.0	4.0	5.0
Length	4.0mm	STCA451040HS	STCA452040HS	STCA453040HS	STCA454040HS	STCA455040HS
	5.5mm	STCA451055HS	STCA452055HS	STCA453055HS	STCA454055HS	STCA455055HS
	7.0mm	STCA451070HS	STCA452070HS	STCA453070HS	STCA454070HS	STCA455070HS

Diameter		Ø5.5				
Cuff(mm)		1.0	2.0	3.0	4.0	5.0
Length	4.0mm	STCA551040HS	STCA552040HS	STCA553040HS	STCA554040HS	STCA555040HS
	5.5mm	STCA551055HS	STCA552055HS	STCA553055HS	STCA554055HS	STCA555055HS
	7.0mm	STCA551070HS	STCA552070HS	STCA553070HS	STCA554070HS	STCA555070HS

Diameter		Ø6.5				
Cuff(mm)		1.0	2.0	3.0	4.0	5.0
Length	4.0mm	STCA651040HS	STCA652040HS	STCA653040HS	STCA654040HS	STCA655040HS
	5.5mm	STCA651055HS	STCA652055HS	STCA653055HS	STCA654055HS	STCA655055HS
	7.0mm	STCA651070HS	STCA652070HS	STCA653070HS	STCA654070HS	STCA655070HS



Diameter		Ø4.5				
Cuff(mm)		1.0	2.0	3.0	4.0	5.0
Length	4.0mm	STCA451040NS	STCA452040NS	STCA453040NS	STCA454040NS	STCA455040NS
	5.5mm	STCA451055NS	STCA452055NS	STCA453055NS	STCA454055NS	STCA455055NS
	7.0mm	STCA451070NS	STCA452070NS	STCA453070NS	STCA454070NS	STCA455070NS

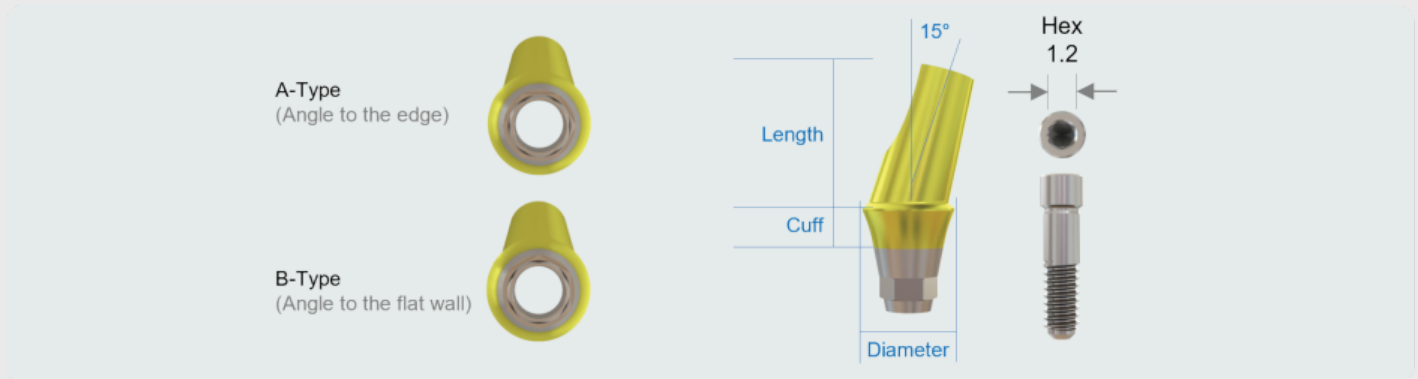
Diameter		Ø5.5				
Cuff(mm)		1.0	2.0	3.0	4.0	5.0
Length	4.0mm	STCA551040NS	STCA552040NS	STCA553040NS	STCA554040NS	STCA555040NS
	5.5mm	STCA551055NS	STCA552055NS	STCA553055NS	STCA554055NS	STCA555055NS
	7.0mm	STCA551070NS	STCA552070NS	STCA553070NS	STCA554070NS	STCA555070NS

Diameter		Ø6.5				
Cuff(mm)		1.0	2.0	3.0	4.0	5.0
Length	4.0mm	STCA651040NS	STCA652040NS	STCA653040NS	STCA654040NS	STCA655040NS
	5.5mm	STCA651055NS	STCA652055NS	STCA653055NS	STCA654055NS	STCA655055NS
	7.0mm	STCA651070NS	STCA652070NS	STCA653070NS	STCA654070NS	STCA655070NS

ST Implant System

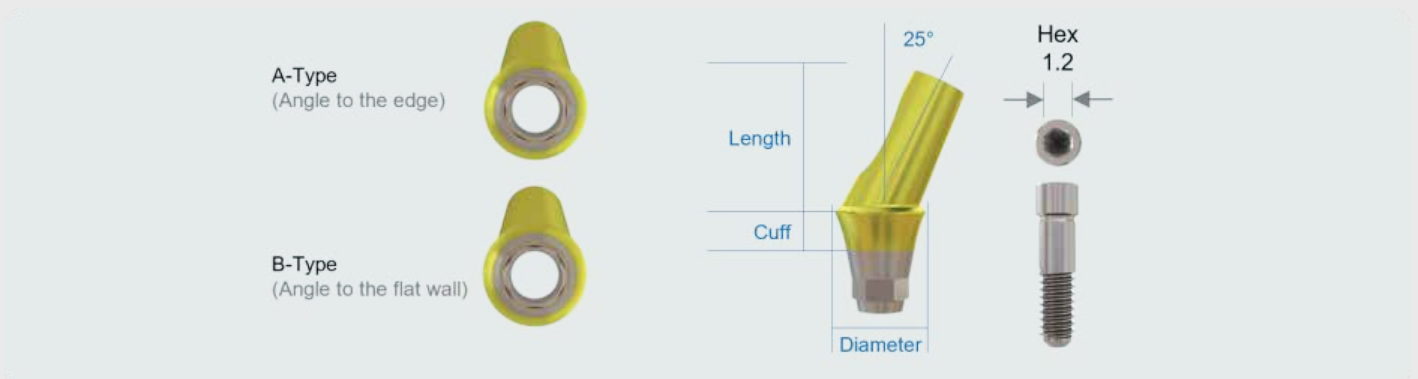
ST Angled Abutment

- Tightening Torque : 30Ncm



Diameter	Ø5.5		
Cuff(mm)	2.0	3.0	4.0
A Type	STAAA155520HS	STAAA155520HS	STAAA155520HS
B Type	STAAB155520HS	STAAB155520HS	STAAB155520HS
Non-Hex	STAA155520NS	STAA155520NS	STAA155520NS

Diameter	Ø4.5		
Cuff(mm)	2.0	3.0	4.0
A Type	STAAA154520HS	STAAA154520HS	STAAA154520HS
B Type	STAAB154520HS	STAAB154520HS	STAAB154520HS
Non-Hex	STAA154520NS	STAA154520NS	STAA154520NS



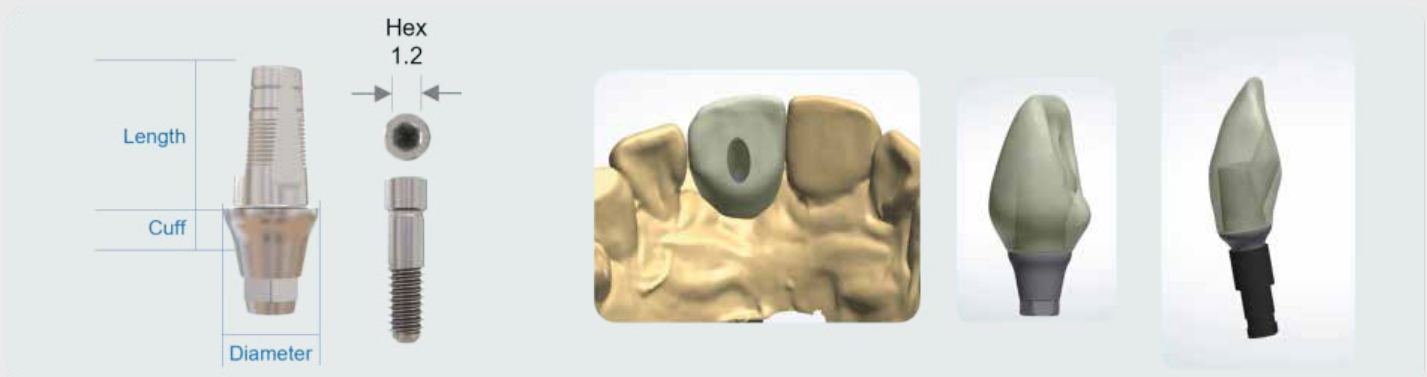
Diameter	Ø4.5		
Cuff(mm)	2.0	3.0	4.0
A Type	STAAA254520HS	STAAA254520HS	STAAA254520HS
B Type	STAAB254520HS	STAAB254520HS	STAAB254520HS
Non-Hex	STAA254520NS	STAA254520NS	STAA254520NS

Diameter	Ø5.5		
Cuff(mm)	2.0	3.0	4.0
A Type	STAAA255520HS	STAAA255520HS	STAAA255520HS
B Type	STAAB255520HS	STAAB255520HS	STAAB255520HS
Non-Hex	STAA255520NS	STAA255520NS	STAA255520NS

ST Implant System

ST Link Abutment(HEX)

- Tightening Torque : 30Ncm



Diameter		Ø4.5				
Cuff(mm)		1.0	2.0	3.0	4.0	5.0
Length	6.5mm	OSLA451065HS	OSLA452065HS	OSLA453065HS	OSLA454065HS	OSLA455065HS
		NELA451065HS	NELA452065HS	NELA453065HS	NELA454065HS	NELA455065HS
		DELA451065HS	DELA452065HS	DELA453065HS	DELA454065HS	DELA455065HS
		MGLA451065HS	MGLA452065HS	MGLA453065HS	MGLA454065HS	MGLA455065HS
		DILA451065HS	DILA452065HS	DILA453065HS	DILA454065HS	DILA455065HS

Diameter		Ø5.5				
Cuff(mm)		1.0	2.0	3.0	4.0	5.0
Length	6.5mm	OSLA551065HS	OSLA552065HS	OSLA553065HS	OSLA554065HS	OSLA555065HS
		NELA551065HS	NELA552065HS	NELA553065HS	NELA554065HS	NELA555065HS
		DELA551065HS	DELA552065HS	DELA553065HS	DELA554065HS	DELA555065HS
		MGLA551065HS	MGLA552065HS	MGLA553065HS	MGLA554065HS	MGLA555065HS
		DILA551065HS	DILA552065HS	DILA553065HS	DILA554065HS	DILA555065HS

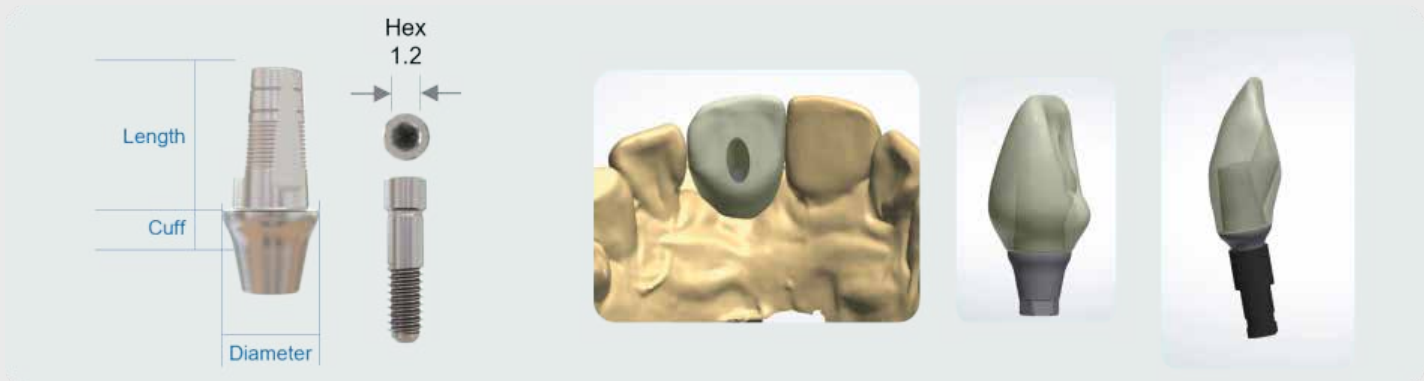
Diameter		Ø6.5				
Cuff(mm)		1.0	2.0	3.0	4.0	5.0
Length	6.5mm	OSLA651065HS	OSLA652065HS	OSLA653065HS	OSLA654065HS	OSLA655065HS
		NELA651065HS	NELA652065HS	NELA653065HS	NELA654065HS	NELA655065HS
		DELA651065HS	DELA652065HS	DELA653065HS	DELA654065HS	DELA655065HS
		MGLA651065HS	MGLA652065HS	MGLA653065HS	MGLA654065HS	MGLA655065HS
		DILA651065HS	DILA652065HS	DILA653065HS	DILA654065HS	DILA655065HS

Option Size : L4.0, 4.5, 5.0, 5.5

ST Implant System

ST Link Abutment(Non-HEX)

- Tightening Torque : 30Ncm



Diameter		Ø4.5				
Cuff(mm)		1.0	2.0	3.0	4.0	5.0
Length	6.5mm	OSLA451065NS	OSLA452065NS	OSLA453065NS	OSLA454065NS	OSLA455065NS
		NELA451065NS	NELA452065NS	NELA453065NS	NELA454065NS	NELA455065NS
		DELA451065NS	DELA452065NS	DELA453065NS	DELA454065NS	DELA455065NS
		MGLA451065NS	MGLA452065NS	MGLA453065NS	MGLA454065NS	MGLA455065NS
		DILA451065NS	DILA452065NS	DILA453065NS	DILA454065NS	DILA455065NS

Diameter		Ø5.5				
Cuff(mm)		1.0	2.0	3.0	4.0	5.0
Length	6.5mm	OSLA551065NS	OSLA552065NS	OSLA553065NS	OSLA554065NS	OSLA555065NS
		NELA551065NS	NELA552065NS	NELA553065NS	NELA554065NS	NELA555065NS
		DELA551065NS	DELA552065NS	DELA553065NS	DELA554065NS	DELA555065NS
		MGLA551065NS	MGLA552065NS	MGLA553065NS	MGLA554065NS	MGLA555065NS
		DILA551065NS	DILA552065NS	DILA553065NS	DILA554065NS	DILA555065NS

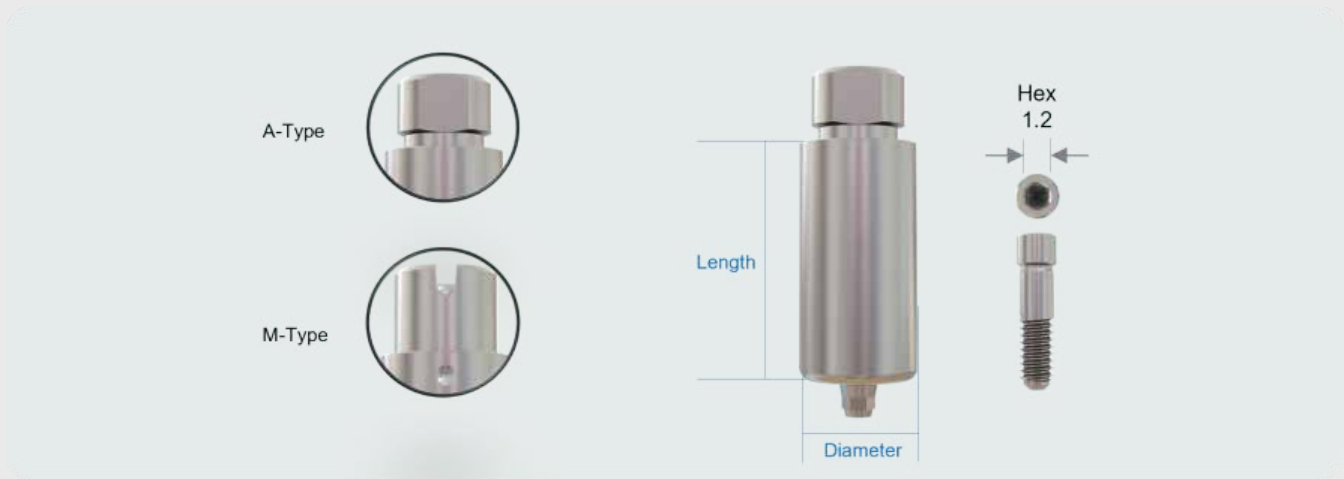
Diameter		Ø6.5				
Cuff(mm)		1.0	2.0	3.0	4.0	5.0
Length	6.5mm	OSLA651065NS	OSLA652065NS	OSLA653065NS	OSLA654065NS	OSLA655065NS
		NELA651065NS	NELA652065NS	NELA653065NS	NELA654065NS	NELA655065NS
		DELA651065NS	DELA652065NS	DELA653065NS	DELA654065NS	DELA655065NS
		MGLA651065NS	MGLA652065NS	MGLA653065NS	MGLA654065NS	MGLA655065NS
		DILA651065NS	DILA652065NS	DILA653065NS	DILA654065NS	DILA655065NS

Option Size : L4.0, 4.5, 5.0, 5.5

ST Implant System

Real Solution I

- Tightening Torque : 30Ncm



Diameter	A Type(Hex)	M Type(Hex)
Ø10	RS1-AV1GR-010	RS1-MX1GR-010
	RS1-AV2R-010	RS1-MX2R-010
	RS1-AV3IS-010	RS1-MX3IS-010
	RS1-AV4UF-010	RS1-MX4UF-010
	RS1-AV5AO-010	RS1-MX5AO-010

Option Size : Ø14

Scan Body

- Tightening Torque : 30Ncm



Diameter		Ø4.5(Standard)	Ø4.2(Mini)	Ø4.0(Narrow)
Length	4.0mm	OSSB4504HS	OSSB4204HS	DISB4004HS
	6.0mm	OSSB4506HS	OSSB4206HS	DISB4006HS
	8.0mm	OSSB4508HS	OSSB4208HS	DISB4008HS

ST Implant System

ST CCM UCLA Abutment

- Tightening Torque : 30Ncm



Diameter	4.5
Cuff(mm)	1.0
Hex	STCU4510HS
Non-Hex	STCU4510NS

ST Plastic UCLA Abutment

- Tightening Torque : 30Ncm



Diameter	4.5
Cuff(mm)	1.0
Hex	STPU4510HS
Non-Hex	STPU4510NS

ST Implant System

Prosthetic Flow Chart

- ST Custom Base Abutment System



ST Custom Base Abutment

- Tightening Torque : 30Ncm



Diameter		Ø4.5				
Cuff(mm)		1.0	2.0	3.0	4.0	5.0
Length	3.3mm	STCBA4510	STCBA4520	STCBA4530	STCBA4540	STCBA4550

Diameter		Ø5.5				
Cuff(mm)		1.0	2.0	3.0	4.0	5.0
Length	3.3mm	STCBA5510	STCBA5520	STCBA5530	STCBA5550	STCBA5550

Diameter		Ø6.5				
Cuff(mm)		1.0	2.0	3.0	4.0	5.0
Length	3.3mm	STCBA6510	STCBA6520	STCBA6530	STCBA6540	STCBA6550

ST Implant System

Prosthetic Flow Chart

- ST Multi Unit Abutment



ST Multi Unit Straight Abutment

- Tightening Torque : 30Ncm



Diameter	4.8			
Cuff(mm)	1.0	2.0	3.0	4.0
Code	STMUSA4810	STMUSA4820	STMUSA4830	STMUSA4840

ST Custom Base Abutment

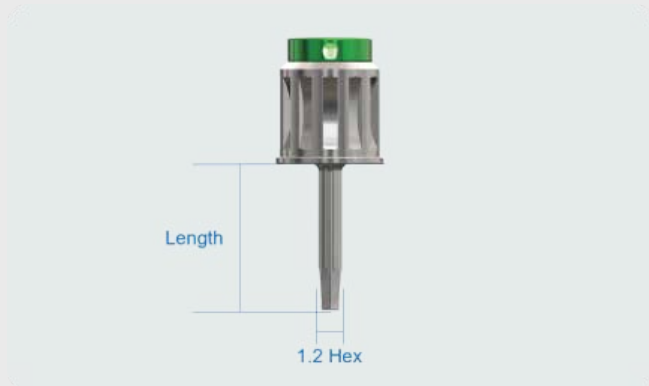
- Tightening Torque : 30Ncm



Diameter		4.8			
Cuff(mm)		1.0	2.0	3.0	4.0
Hex	17°	STMUAA174810HS	STMUAA174820HS	STMUAA174830HS	STMUAA174840HS
	30°	STMUAA304810HS	STMUAA304820HS	STMUAA304830HS	STMUAA304840HS
Non-Hex	17°	STMUAA174810NS	STMUAA174820NS	STMUAA174830NS	STMUAA174840NS
	30°	STMUAA304810NS	STMUAA304820NS	STMUAA304830NS	STMUAA304840NS

ST Implant System

Instrument(HEX Driver)



Length(mm)	10	15
Code	IHDR1210S	IHDR1215S



Length(mm)	10	15
Code	IHDC1210	IHDC1215

Instrument(Torque Ratchet)



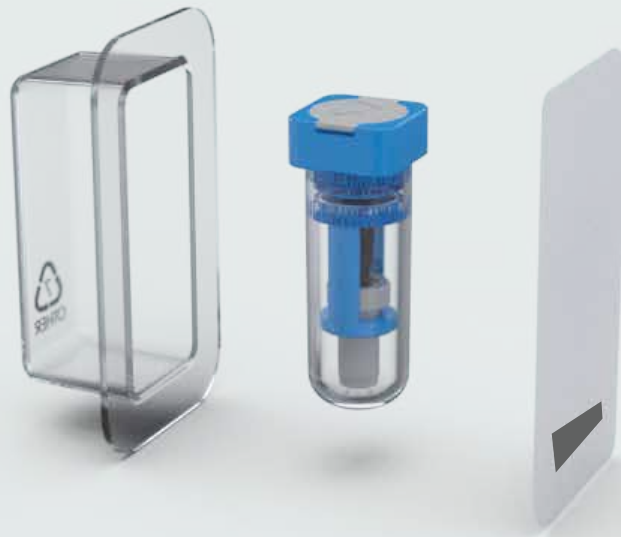
Code	STW60
------	-------

Fixture	Prosthesis	Hex	Non-Hex	Solid	Healing	Remark
ST Implant (Submerged)	Osstem	O	O	O	O	
	Dentium	O	O	O	X	
	Dio	O	O	O	O	
	Dentis	O	X	O	O	
	Megagen	O	O	O	O	
	Neobiotech	O	O	O	O	

Fixture	Prosthesis	Hex	Non-Hex	Solid	Healing	Remark
Osstem	Mini	O	O	O	O	
	Standard	O	O	O	O	
Dentium	Prosthesis	O	O	O	O	
Dio		O	O	O	O	
Dentis		O	O	O	O	
Megagen		O	O	O	O	
Neobiotech		O	O	O	O	

ST Implant System

Packing



[Fixture]



[Fixture Outer]



2023
Make more Simple
ST Dental Implant